

Compact table CTE0500

Technical Data

■ Diameter		0.5 m
■ Permissible load		25 kg
■ Height adjustable between		0.7 ... 1.1 m
■ Material of carrier plates		Kömacel (foamed plastic) with PVC border ring
■ Rotating speed	max./min.	2.0 rpm / 0.5 rpm
■ Positioning accuracy		± 0.3 °
■ Rotating angle		-200 ... +400 ° or endless/continuous
■ Turntable drive		EC motor 150 W (brushless)
■ Operating Voltage		230V AC (50/60Hz) or 110V AC (50/60Hz)
■ Current consumption	max.	1.6 A
■ Power connection		5 m power supply cable with CEE 7/7 plug with integrated filter element
■ Drive unit		shielded and radio interference suppressed max. 5 dB over the background noise
■ Temperature range		+5 °C...+40 °C
■ Control		microcontroller board
■ Control line connection		fiber optic duplex (2pcs: 1×5m + 1×10 m incl. FSMA connector), POF (standard)
■ Drivable by		CO3000, CO2000, CO1000 alternative also with PC-option
■ Accessories		Service manual
■ Available options: additional phi-axis-positioner instead of table plate (creates a multi axis positioner), other height adjusting range (like 0.55 ... 0.8 m), higher speed, rotary joint for power supply or HF signals, rollers for easy movement (instead of levelling feet), grid printed on the plate, clients company logo printed on the plate, ...		

Brief description

The compact table CTE0500 is an inexpensive compact table with non-metallic plate which is height adjustable in a certain range. The clamping mechanism do not require any tools to adjust the height.

In the center of the carrier plate a $\varnothing 45\text{mm}$ hole gives the possibility to route cables to the EUT through the tubes and the drive which pursues this duct down to the floor. The $\varnothing 45\text{mm}$ allows to route typical CEE7/... and common NEMA household plugs if the plugs are straight.

The drive cover of the CTE0500 allows to place ferrites or absorbers easily on the drive unit.

The IEEE 488 (**GPIB**) & TCP/IP (**LAN**) interface, when operated by CO 3000 Controller provides an additional control option for all functions.

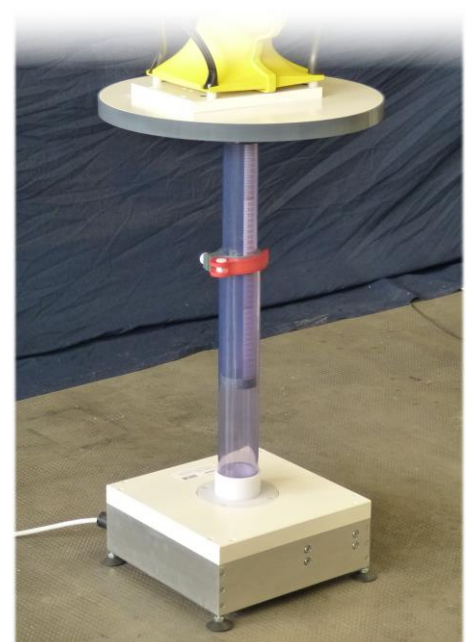
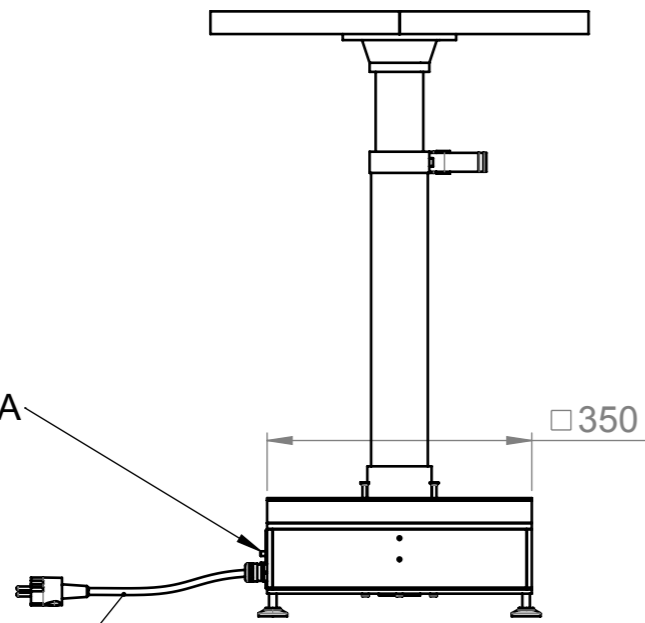
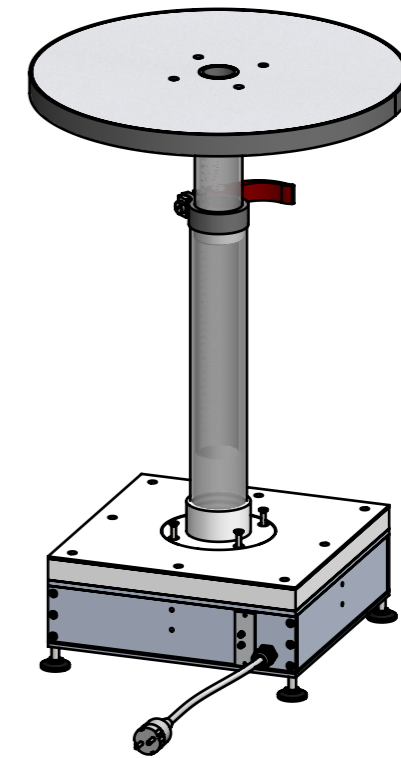
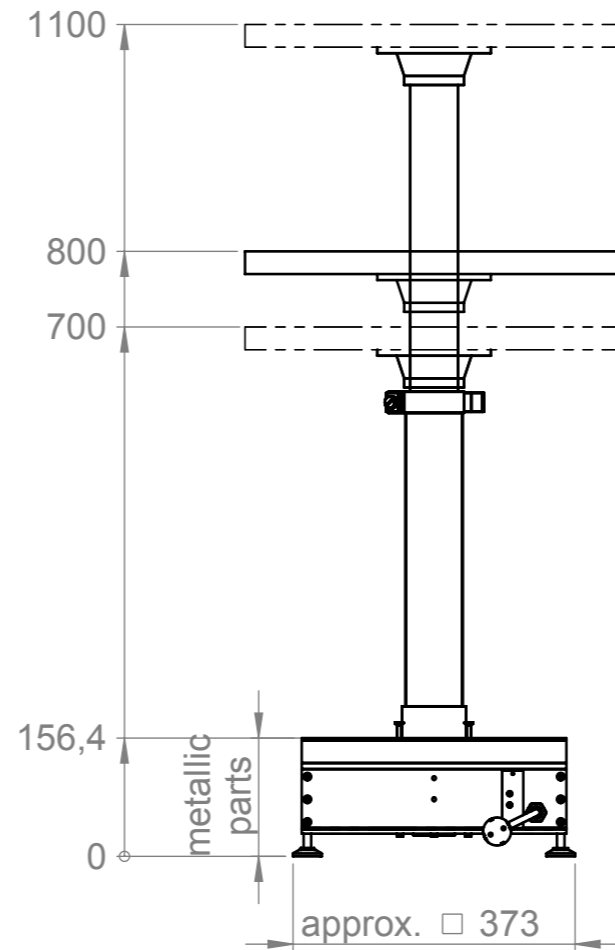
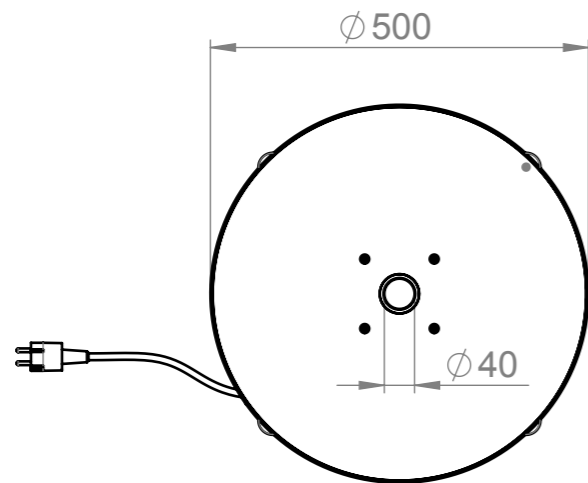


fig. 1: compact table CTE0500



5m cable with CEE 7/7 plug (German "Schuko")



max. Load:
 - 6 kg with easy adjust
 - 10 kg with clamp up to 800mm

Revision	Änderung	Datum	Name

Diese Zeichnung ist urheberrechtlich geschützt. Kopien, auch auszugsweise, sowie die Weitergabe an Dritte bedürfen unserer ausdrücklichen und schriftlichen Genehmigung.

Qualitätsmanagement-system	Kürzel	Datum
	Freigabe Konstruktion	
Zuschnitt		
Fertigung		

innco systems
 innco systems GmbH
 Erlenweg 12 • 92521 Schwarzenfeld
 Phone +49 (9435) 301659-0 • Fax -99
 eMail: info@inncosystems.com

Datum	Name
3D erstellt 04.04.2013	MM
3D Freigabe	
2D erstellt 11.03.2015	MM
2D Freigabe	

ALLGEMEINTOLERANZ
 DIN 7168 - m

Masstab:	Sage-Nr.:	Material:
1:10		
		Oberfläche:
CTE0500		
Erhöhter Compact-Tisch <i>Raised compact table</i>		
ISYS-0011737		Revision: 1/1
		01 A3
		Modell Zeichnung